

Central Brass Company, Inc.
3325 S. Garfield Ave.
Commerce, CA 90040
(800) 321-8630
www.centralbrass.com

Tools:



Adjustable Wrench



Silicone Sealant



Teflon Tape



Rags

Model Number: 0184-LE0, 0194-LE0



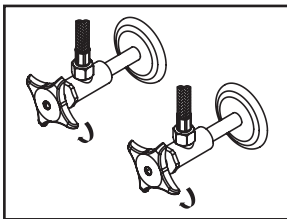
Warnings and Notes:

Check with local plumbing code requirements before installation.
This product should be installed by a local listed plumber.

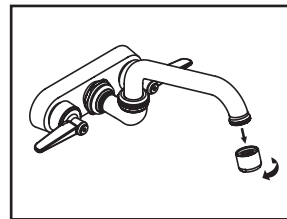
Do not use plumbers putty on threads.

Installation Steps:

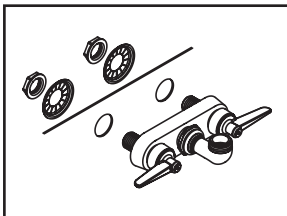
Two Handle Wall Mount Faucet



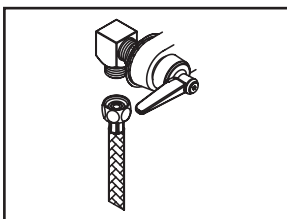
(1) Shut off water supplies. Remove old faucet. Clean mounting surface in preparation for new faucet.



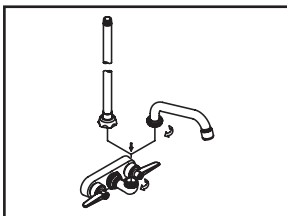
(6) Turn on water supplies, remove aerator and turn on both handles to allow hot & cold water to run at least one minute, check all connections for any leak. Turn off both handles and replace aerator.



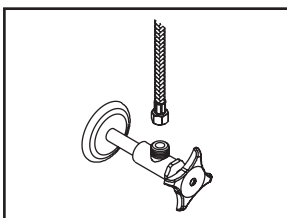
(2) Place faucet shank through mounting hole of backsplash, slide crowfoot washer through shank and secure faucet by tightening locknut from back of backsplash.



(3) Attach elbows or supply lines as needed.



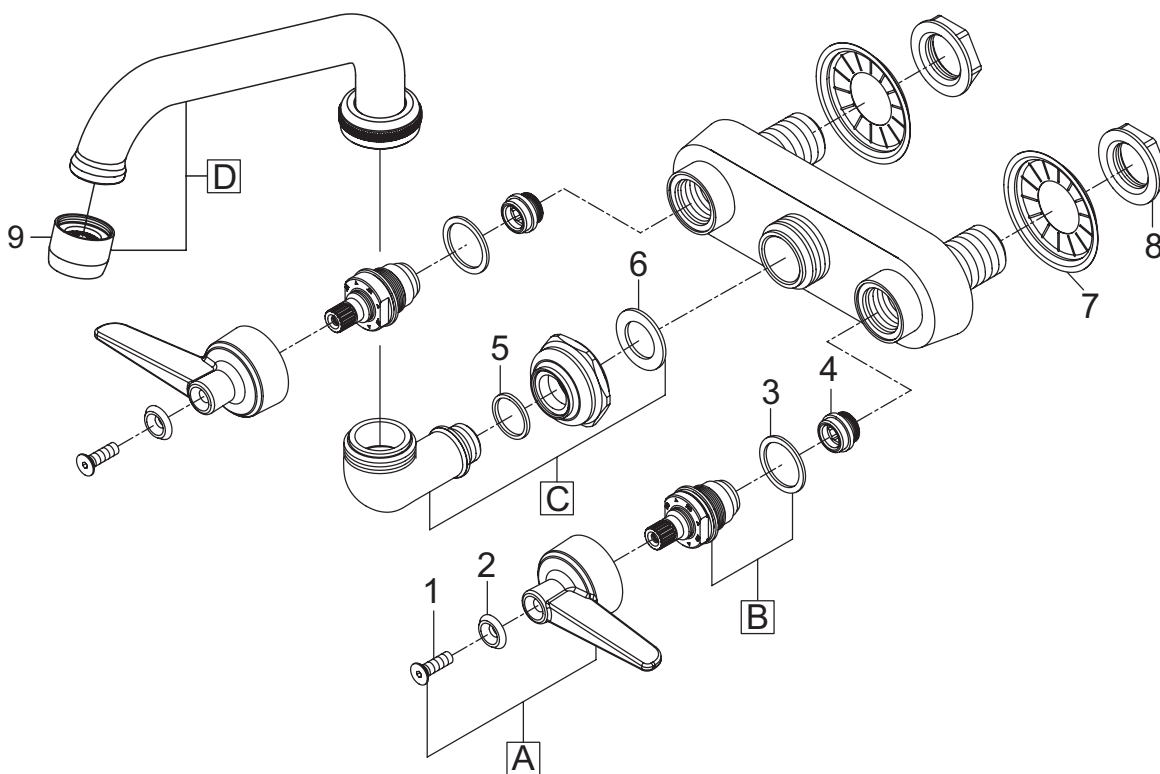
(4) Attach the chosen spout or pre-rinse units. For pre-rinse units please refer to the installation instruction which comes with pre-rinse unit.



(5) Connect hot and cold inlet supply hoses to supply stops.

Exploded Drawing (0184-LE0):

	ITEM #	DESCRIPTION
A	CS-19007C,H	Lever Handle-Cold,Hot
B	G-453-EL, ER	Cold, Hot Stem Assembly with Gasket
C	G-1748-88W	Swivel Spout Adapter
D	SU-2924-A	6" Tube Spout with Aerator
1	CS-49033	Handle Screw
2	X107-FB, FR	Index Blue, Red (5 pcs/pk)
3	X1028-Y	Gasket (25 pcs/pk)
4	X263-BC	Replacement Seat (10 pcs/pk)
5	X490-AP	Washer (12 pcs/pk)
6	X940-TRN	Washer (10 pcs/pk)
7	X54	Crowfoot Washer (10 pcs/pk)
8	X7133-AZ	Locknut (10 pcs/pk)
9	CS-49014	1.5 GPM Aerator

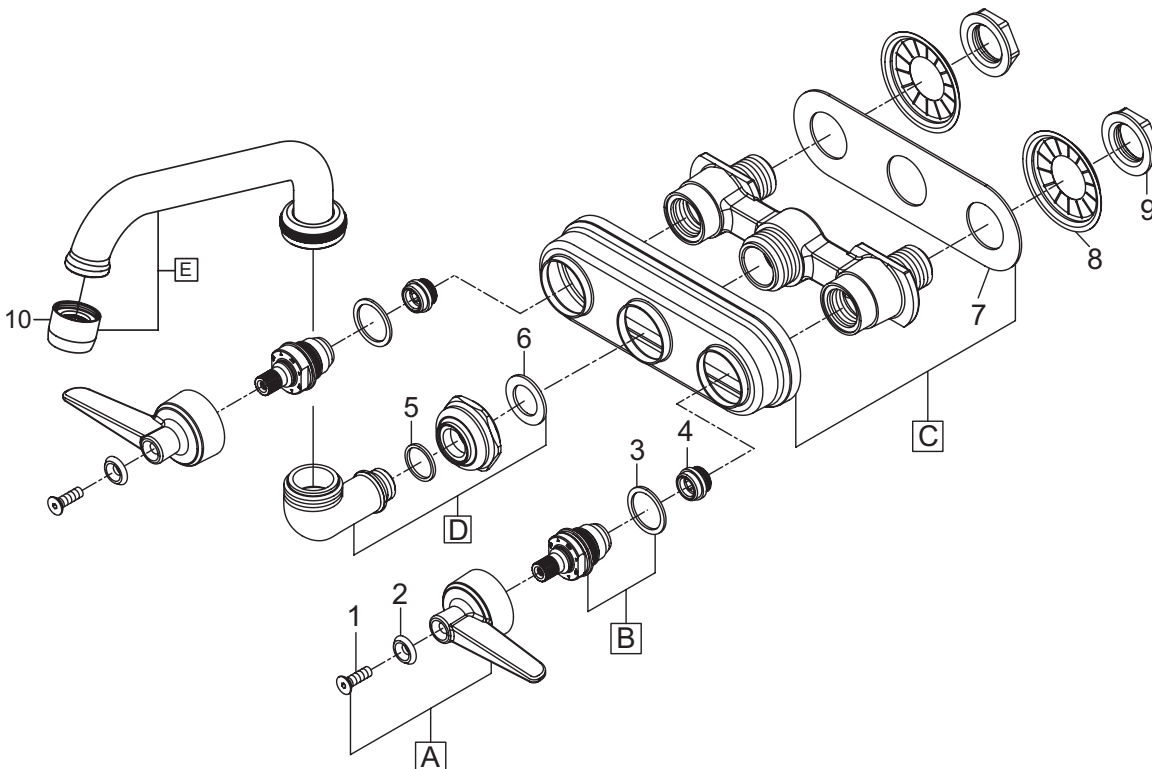


Central Brass
C O M P A N Y, Inc.

For more care information or trouble shooting inquiries
about your Central Brass product, please call:
Central Brass Company, Inc. (800) 321-8630
Monday-Friday 8 AM to 8 PM EST (5 AM to 5 PM PST)
www.centralbrass.com

Exploded Drawing (0194-LE0):

	ITEM #	DESCRIPTION
A	CS-19007C,H	Lever Handle-Cold,Hot
B	G-453-EL, ER	Cold, Hot Stem Assembly with Gasket
C	G-392	Deck Plate and Gasket
D	G-1748-88W	Swivel Spout Adapter
E	SU-2924-A	6" Tube Spout with Aerator
1	CS-49033	Handle Screw
2	X107-FB, FR	Index Blue, Red (5 pcs/pk)
3	X1028-Y	Gasket (25 pcs/pk)
4	X263-BC	Replacement Seat (10 pcs/pk)
5	X490-AP	Washer (12 pcs/pk)
6	X940-TRN	Washer (10 pcs/pk)
7	392-G	Gasket
8	X54	Crowfoot Washer (10 pcs/pk)
9	X7133-AZ	Locknut (10 pcs/pk)
10	CS-49014	1.5 GPM Aerator



Central Brass
C O M P A N Y, Inc.

For more care information or trouble shooting inquiries
about your Central Brass product, please call:

Central Brass Company, Inc. (800) 321-8630

Monday-Friday 8 AM to 8 PM EST (5 AM to 5 PM PST)

www.centralbrass.com